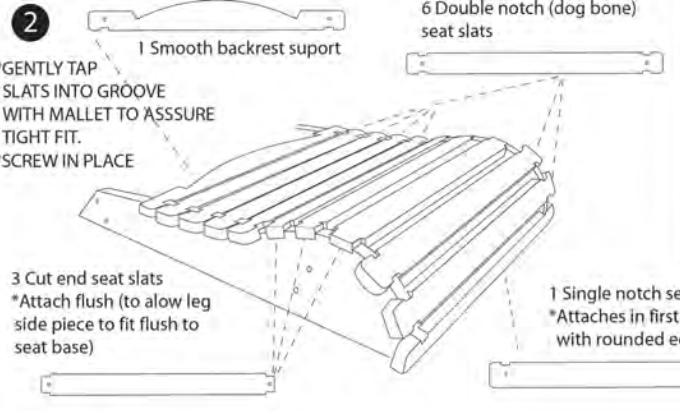


1

Flat support fit in notch

- * Side seat panels slots are to face in
- * Insert supports in slots



2

1 Smooth backrest support

6 Double notch (dog bone) seat slats

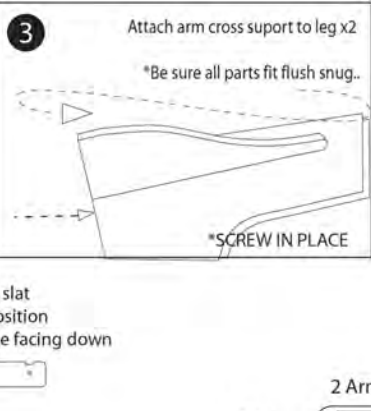
- *GENTLY TAP SLATS INTO GROOVE WITH MALLET TO ASSURE TIGHT FIT.
- *SCREW IN PLACE

3 Cut end seat slats

- *Attach flush (to allow leg side piece to fit flush to seat base)

1 Single notch seat slat

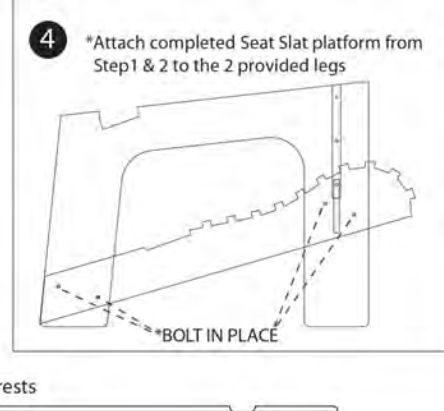
- *Attaches in first position with rounded edge facing down



3

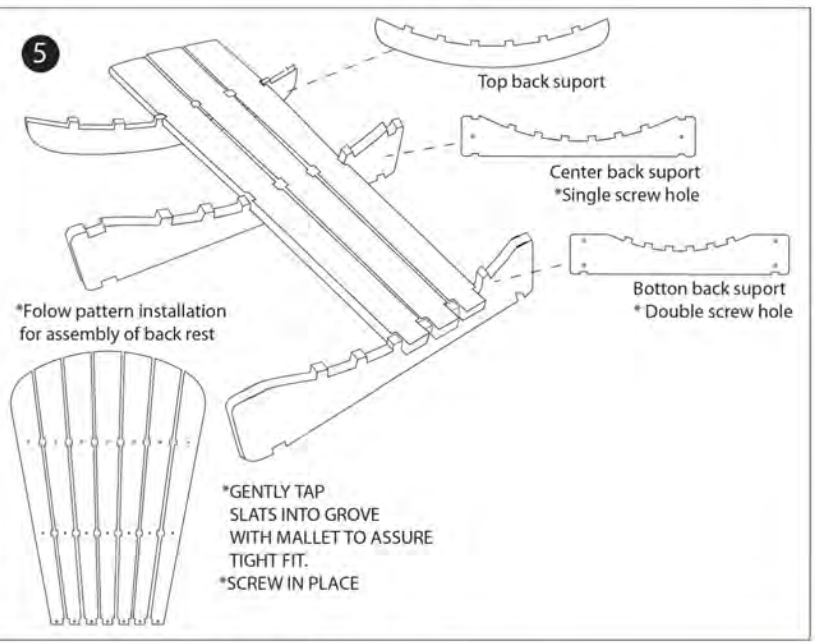
Attach arm cross support to leg x2

- *Be sure all parts fit flush snug..
- *SCREW IN PLACE



4

- *Attach completed Seat Slat platform from Step1 & 2 to the 2 provided legs
- *BOLT IN PLACE



5

Top back support

Center back support

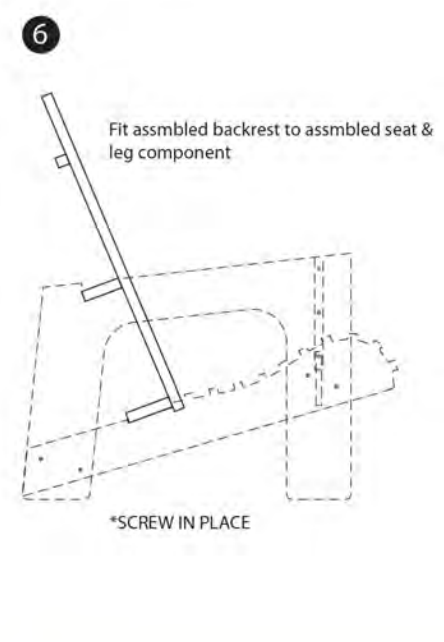
- *Single screw hole

Bottom back support

- *Double screw hole

*Follow pattern installation for assembly of back rest

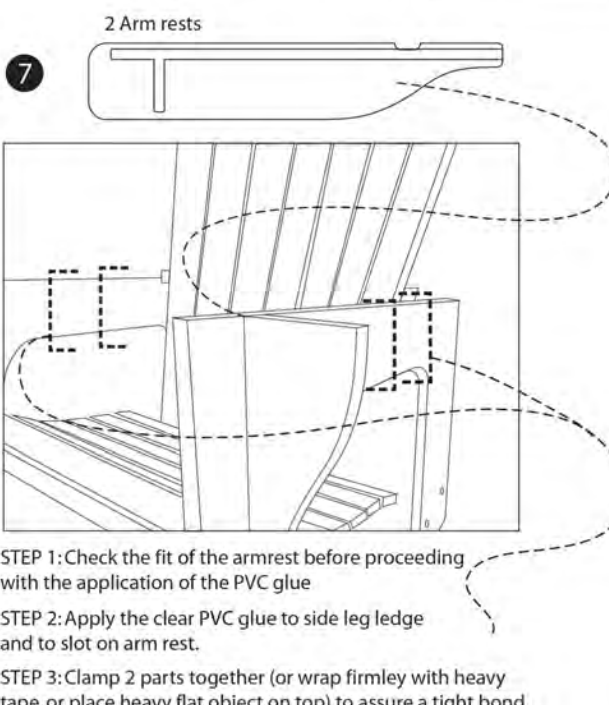
- *GENTLY TAP SLATS INTO GROOVE WITH MALLET TO ASSURE TIGHT FIT.
- *SCREW IN PLACE



6

Fit assembled backrest to assembled seat & leg component

- *SCREW IN PLACE



7

2 Arm rests

STEP 1: Check the fit of the armrest before proceeding with the application of the PVC glue

STEP 2: Apply the clear PVC glue to side leg ledge and to slot on arm rest.

STEP 3: Clamp 2 parts together (or wrap firmly with heavy tape, or place heavy flat object on top) to assure a tight bond.

STEP 4: Allow PVC glue to set 20 min, carefully remove clamps.....ENJOY YOUR CHAIR!

ADIRONDACK CHAIR ASSEMBLY INSTRUCTIONS

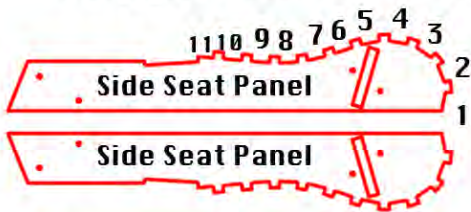
**Read instructions through before starting assembly*

- Items Included:**
- * All Chair Pieces
 - * Stainless Steel Screws
 - * 8 sets - Nuts, Bolts and Washers
 - * Square Drill Bit

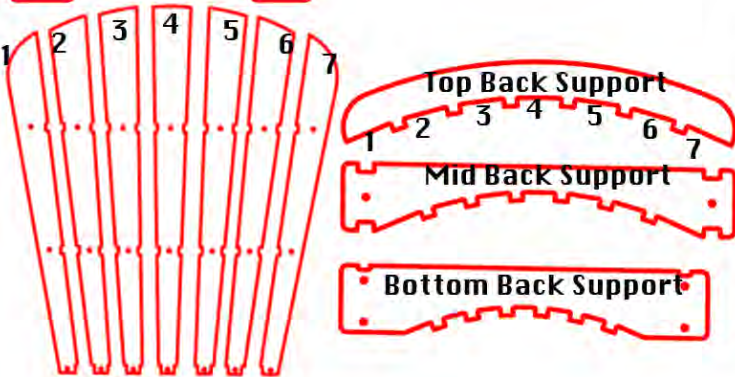
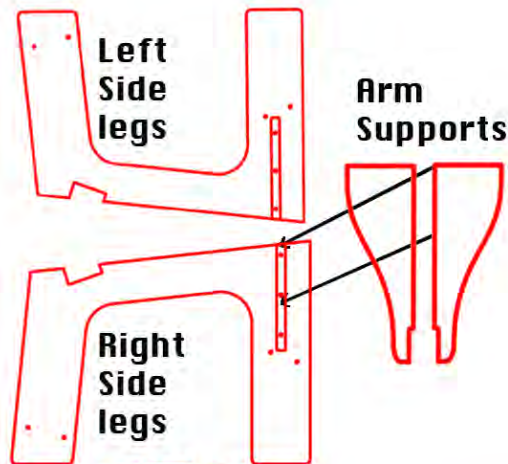
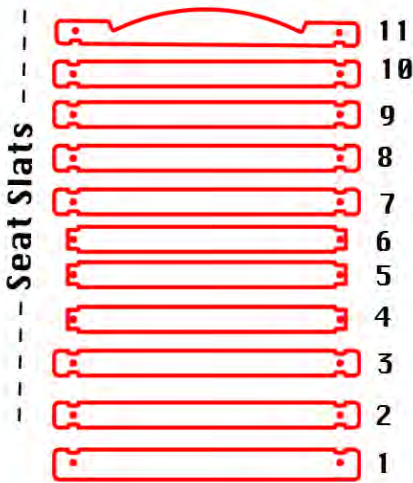
- List of tools needed:
- * Nut Wrench
 - * Phillips Screw Drive
 - * #2 Square Drill bit / Screw Gun or Drill
 - * Clear PVC Glue

- Additional Helpful items if you have them:
- * Rubber Mallet
 - * Large Clamps
 - * Utility Knife

Supplemental Assembly Instructions – Adirondack Chair



Flat Support Bar



Step 1 –

Connect the side panels with the Flat Support Bar. Cutout slots on side panels should face each other inward – Insert flat support bar and connect with screws provided.

Step 2 –

Insert “seat slats” into slotted grooves of the seat panels as depicted / numbered to the left. Gently tap the slats into place with your hand or a rubber mallet. The curved part of #11 faces the back. Attach with screws provided.

Step 3–

Attach Arm Supports to the legs. Fit supports into cut out slots and place the top of the arm support even or flush with the top of the chair leg.

Step 4–

Using provided nuts washers and bolts, attach completed seat assembly to the chair legs. The arm supports go on the outside. Insert the bolt on one side and use the washer and nut on the other side.

Step 5–

Lay out chair back so the logo and curved top looks to be in order. Place the supports facing up and gently tap chair back slats into place as numbered. A mallet works well if you have one but is not necessary. These slats fit very tightly. Insert screws provided.

Step 6–

Fit assembled backrest to assembled seat and leg component and screw into place.

Step 7–

Fit the Arm Rests to the arm support and chair leg assembly. Apply a modest amount of clear PVC glue (not provided) to the top of the leg assembly and arm support. Put the “arms” in place and use clamps (if available) or set a heavy object on each arm and allow to dry for 20 to 30 minutes. Be careful not to scratch the arms and be certain to wipe off any excess glue that may run after putting the Arms in place.

